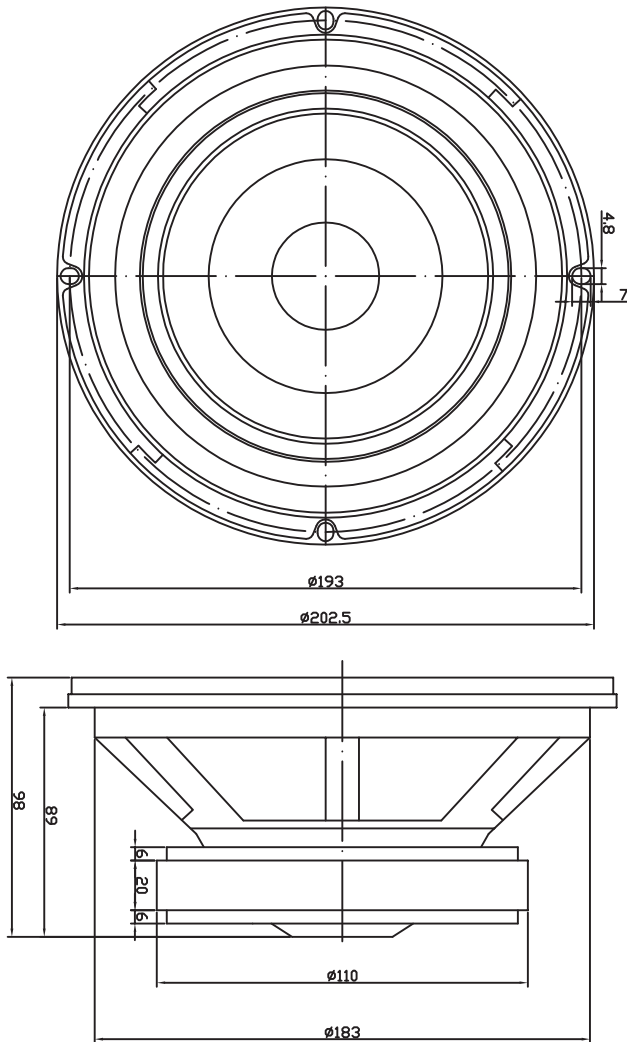




8FR-8
FULL-RANGE
8" SPEAKER
PIONEER TYPE
B20FU20-51FW

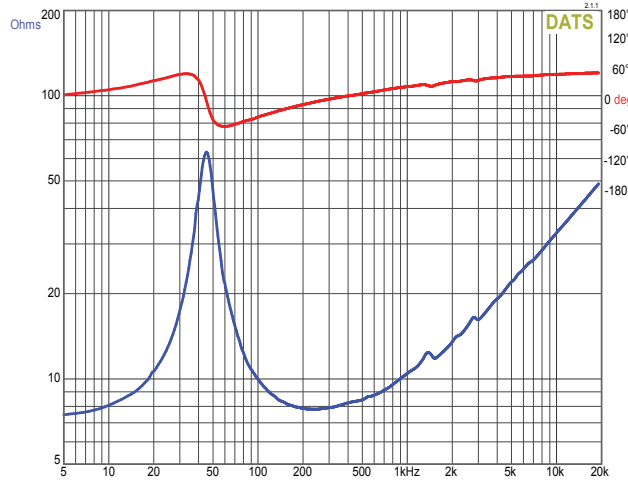
MECHANICAL DRAWING



FEATURES

- Replacement for Pioneer B20FU20-51FW
- Dual cone design allows true full-range response
- Superb multipurpose speaker for DIY projects
- Great replacement speaker

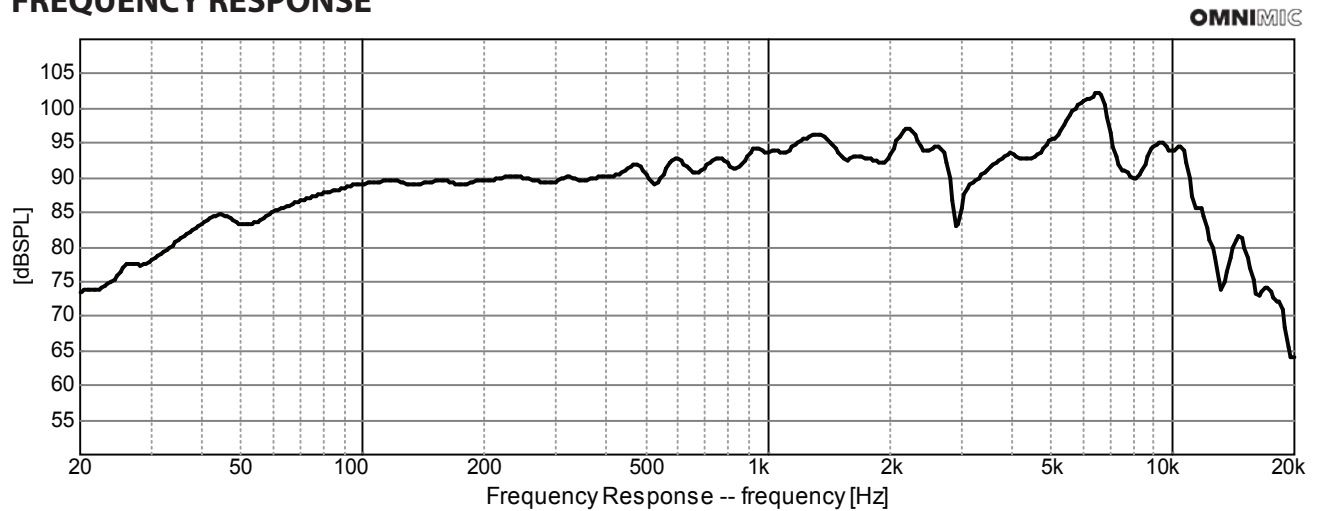
IMPEDANCE/PHASE



PARAMETERS

Impedance	8 ohms
Re	7.3 ohms
Le	1.2 mH
Fs	45 Hz
Qms	4.83
Qes	0.63
Qts	0.56
Mms	22.2 g
Cms	0.56 mm/N
Sd	49.6 cm ²
Vd	15 cm ³
BL	8.5 Tm
Vas	37 liters
Xmax	3 mm
VC Diameter	38 mm
SPL	90 dB @ 2.83V/1m
RMS Power Handling (AES 426B)	60 watts
Usable Frequency Range (Hz)	39 - 16,000 Hz

FREQUENCY RESPONSE



Note: 1/24th octave smoothing - nearfield response included in graph below 450 Hz.