



4PF-8
4" PAPER CONE
FOAM SURROUND
WOOFER

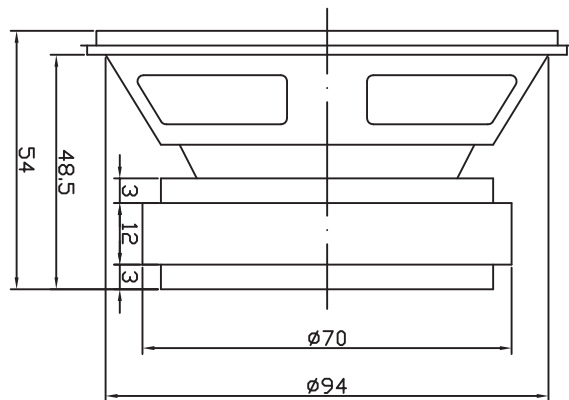
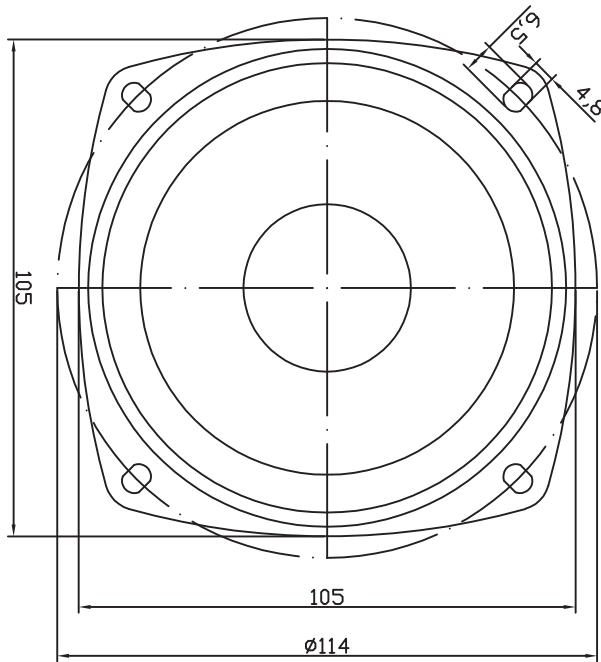
FEATURES

- Perfect for use in sealed-box home theater and music systems
- Poly-laminated paper cone, treated foam surround, and polymer dust cap
- Smooth frequency response with minimal cone breakup
- Great replacement speaker

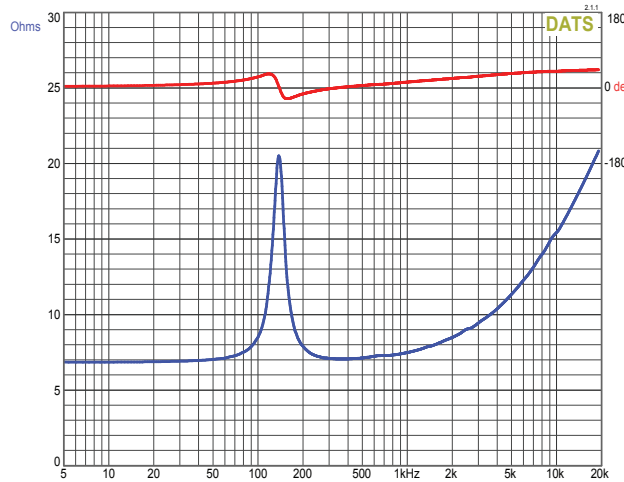
PARAMETERS

Impedance	8 ohms
Re	6.8 ohms
Le	0.5 mH
Fs	137 Hz
Qms	5.81
Qes	2.90
Qts	1.94
Mms	4.8 g
Cms	0.28 mm/N
Sd	55.2 cm ²
Vd	23 cm ³
BL	3.1 Tm
Vas	1.2 liters
Xmax	4.5 mm
VC Diameter	25 mm
SPL	83 dB @ 2.83V/1m
RMS Power Handling (AES 426B)	40 watts
Usable Frequency Range (Hz)	100 - 10,000 Hz

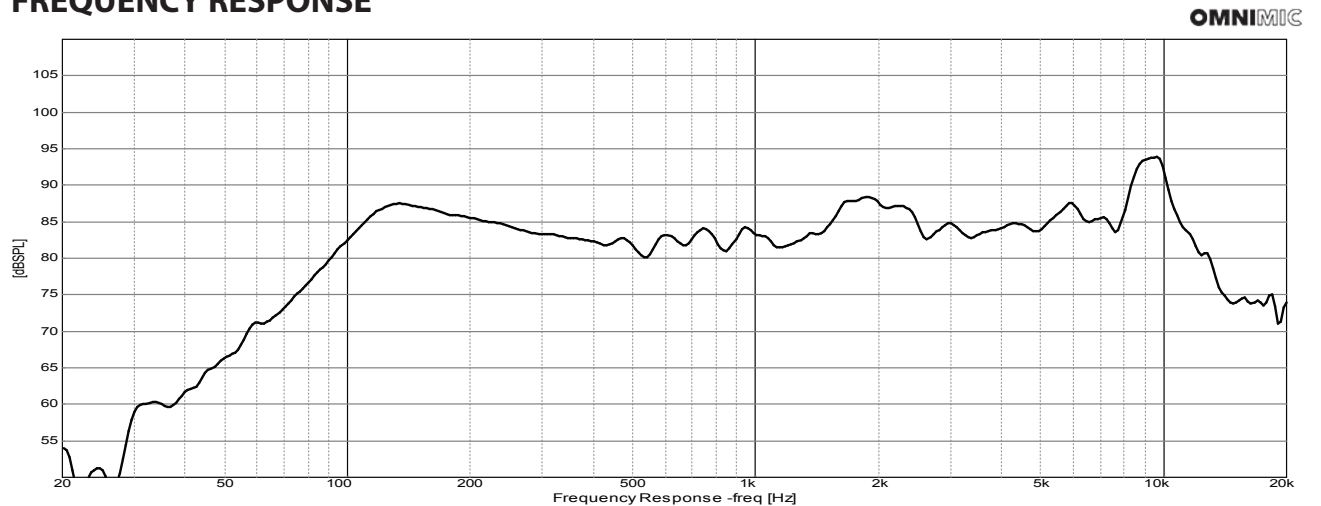
MECHANICAL DRAWING



IMPEDANCE/PHASE



FREQUENCY RESPONSE



Note: 1/24th octave smoothing - nearfield response included in graph below 450 Hz.