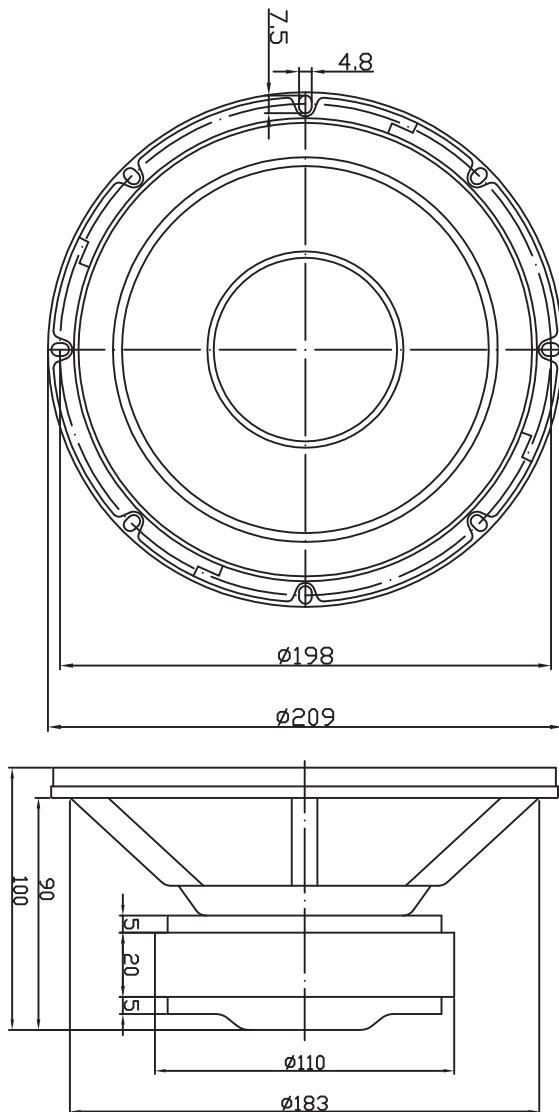




**8SW-4**  
**8" POLY CONE**  
**SUBWOOFER**  
**4 OHM**

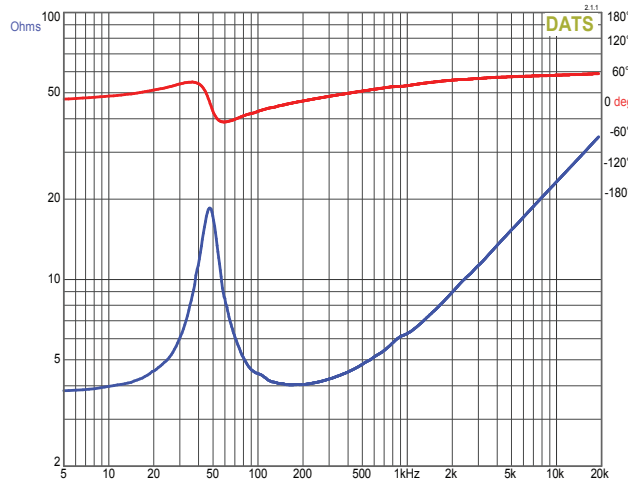
**MECHANICAL DRAWING**



**FEATURES**

- Polypropylene cone for perfect balance of stiffness, mass, and self-damping
- Butyl rubber surround ensures high excursion and long-term durability
- Large 1-1/2" voice coil and bumped back plate enable high power handling
- Long-throw design for deep, powerful bass
- Great replacement speaker

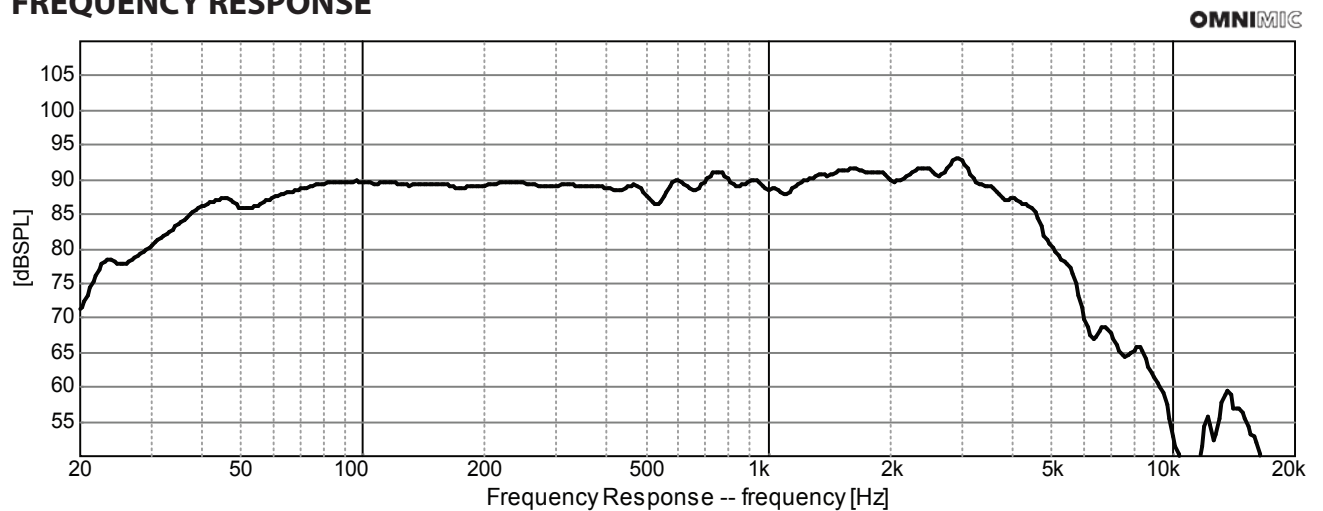
**IMPEDANCE/PHASE**



**PARAMETERS**

Impedance	4 ohms
Re	3.8 ohms
Le	0.8 mH
Fs	48 Hz
Qms	4.33
Qes	1.13
Qts	0.89
Mms	33.2 g
Cms	0.33 mm/N
Sd	216.8 cm <sup>2</sup>
Vd	130 cm <sup>3</sup>
BL	5.8 Tm
Vas	22 liters
Xmax	6 mm
VC Diameter	38 mm
SPL	89 dB @ 2.83V/1m
RMS Power Handling (AES 426B)	80 watts
Usable Frequency Range (Hz)	40 – 800 Hz

**FREQUENCY RESPONSE**



Note: 1/24<sup>th</sup> octave smoothing - nearfield response included in graph below 450 Hz.