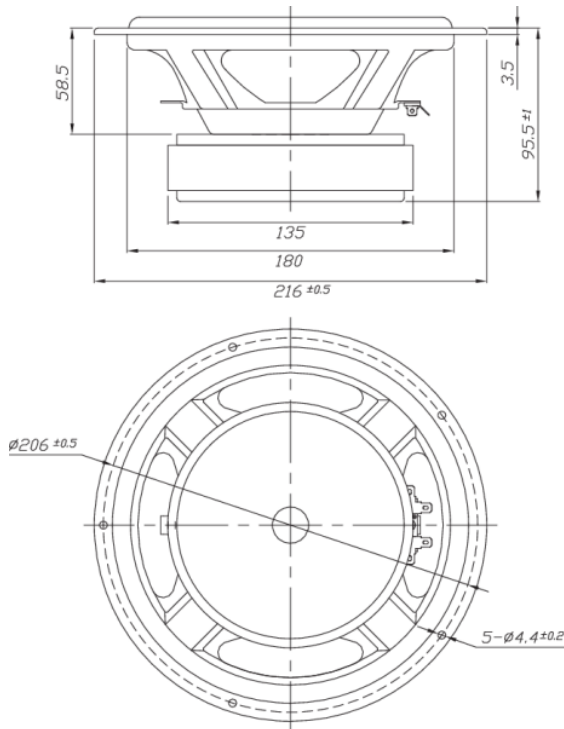




DS215-8 8" Designer Series Woofer Speaker 8 Ohm

DS215-8



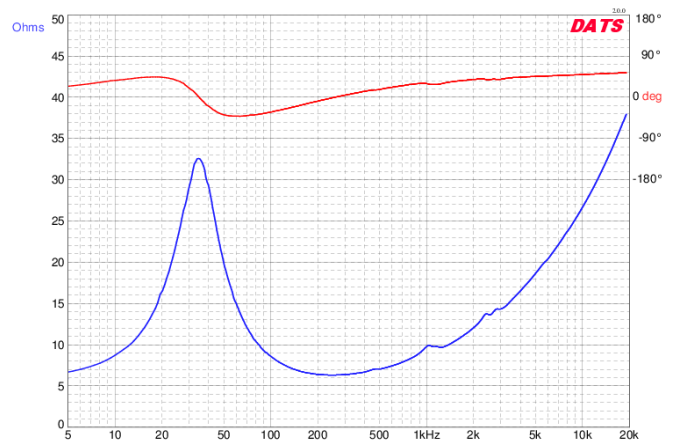
PARAMETERS

Impedance	8 ohms
Re	5.8 ohms
Le	1.25 mH @ 1 kHz
Fs	34.3 Hz
Qms	1.75
Qes	0.38
Qts	0.31
Mms	29.7g
Cms	0.72 mm/N
Sd	211.2 cm ²
Vd	116.2 cm ³
BL	9.89 Tm
Vas	43.1 liters
Xmax	5.5 mm
VC Diameter	38.5 mm
SPL	89.9 dB @ 2.83V/1m
RMS Power Handling	80 watts
Usable Frequency Range (Hz)	35 - 4,000 Hz

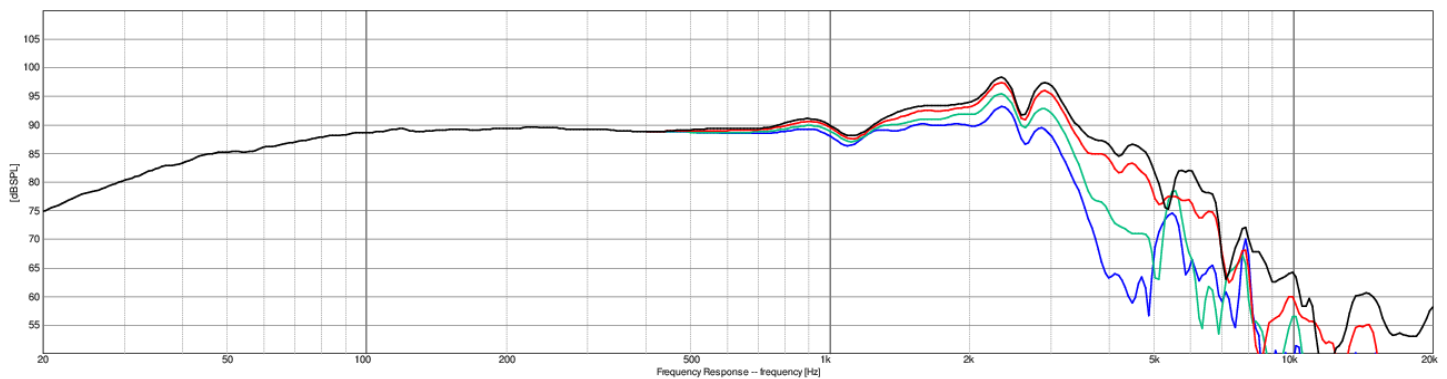
FEATURES

- Cosmetic frame with low profile lip, designed for front mounting—no countersinking required!
- Coated paper cone, half roll rubber surround for durability and accurate reproduction
- Optimized to yield a low 3 dB down point and high potential output in a reasonably sized cabinet
- Smooth frequency response and linear roll-off simplify filter design, guaranteeing good results with off-the-shelf crossovers
- Vented pole piece for minimized power compression and maximized reliability

IMPEDANCE/PHASE



FREQUENCY RESPONSE



Note: 1/24th octave smoothing - nearfield response included in graph below 450 Hz.

Black = 0°
Red = 15°
Green = 30°
Blue = 45°