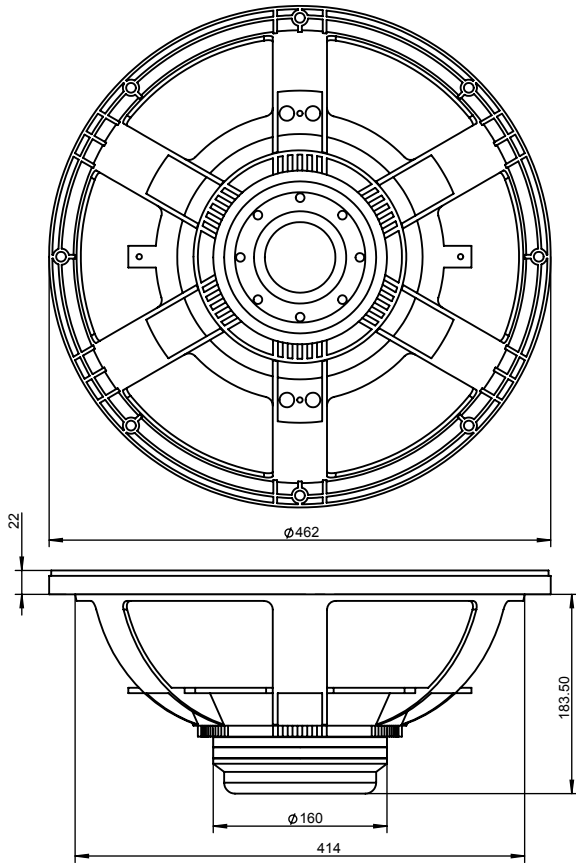




Apollo 18N 18" Professional Neodymium Subwoofer 8 Ohm
18SW1200N-8



PARAMETERS

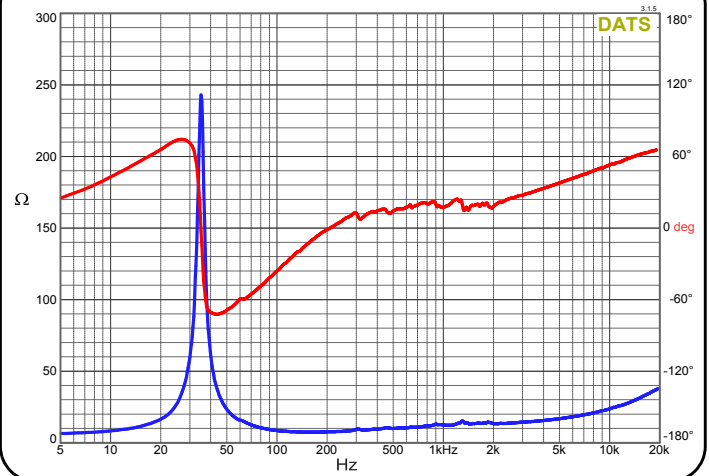
Impedance	8 ohms
Re	6.1 ohms
Le	0.61 mH @ 1kHz
Fs	32 Hz
Qms	10.02
Qes	0.35
Qts	0.33
Mms	217.8 g
Cms	0.114 mm/N
Sd	1200.0 cm ²
Vd	1092 cm ³
BL	27.57 Tm
Vas	253.6 liters
Xmax	9.1 mm*
Magnetic Gap Height	12 mm
VC Diameter	4"
VC Winding Height	25 mm
SPL	97 dB @ 2.83V/1m
RMS Power Handling	1200 watts
Usable Frequency Range	35Hz-1kHz

*Klippel verified

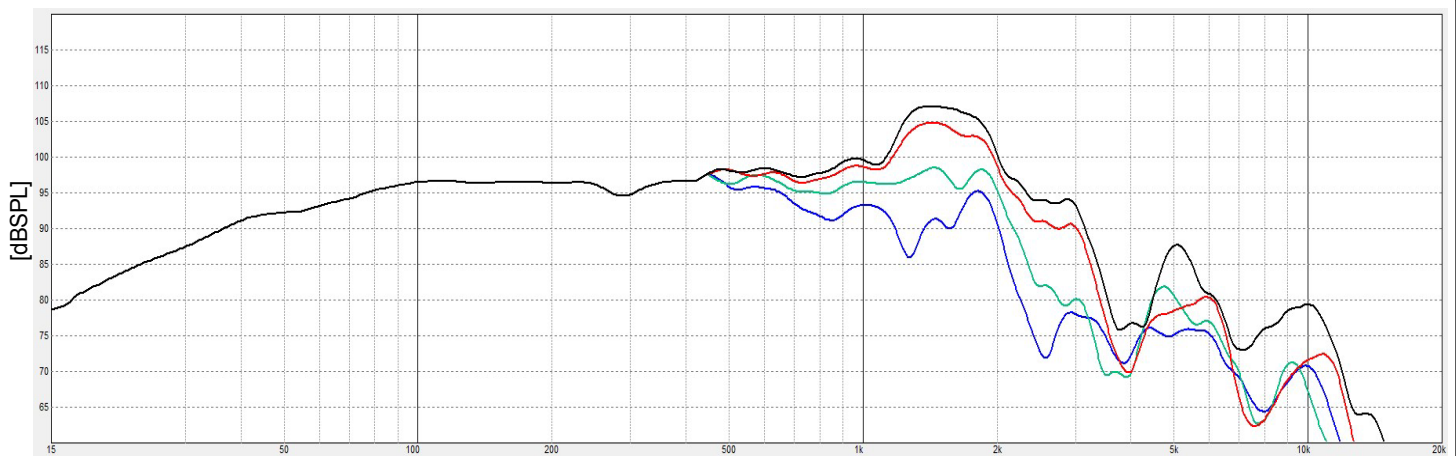
FEATURES

- Best 4" voice coil neodymium subwoofer value on the planet
- Powerful neodymium motor for superior output
- Well balanced SPL to Xmax ratio equates to a loud and long-throw sub
- Copper inductance cap and aluminum demodulation ring for low distortion and low power compression
- Robust 18" ribbed paper cone for strength and durability
- Under spider and rear periphery venting allow for a cooler running voice coil

IMPEDANCE/PHASE



FREQUENCY RESPONSE



OmniMic

Frequency Response -freq [Hz]

Note: 1/12th octave smoothing - nearfield response included in graph below 450 Hz

Black = 0°
Red = 15°
Green = 30°
Blue = 45°