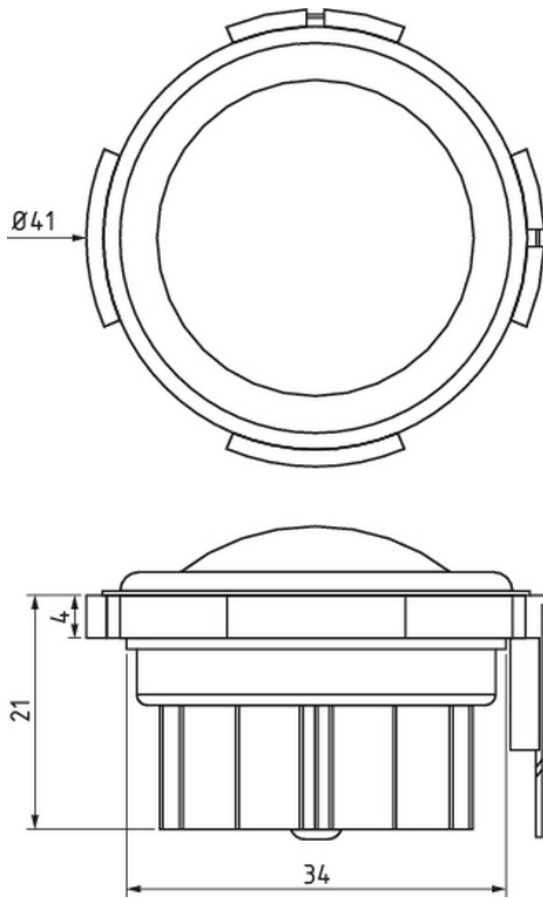




ND25FN-4 1" Neo Silk Dome Tweeter Element 4 Ohm

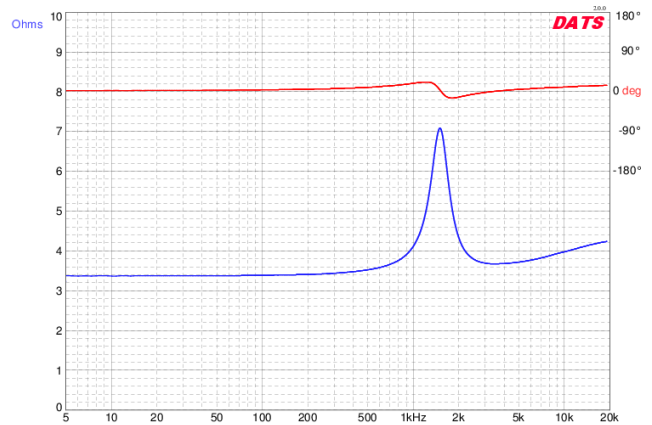
ND25FN-4



PARAMETERS

Impedance	4 ohms
Re	3.2 ohms
Le	0.04 mH
Fs	1,350 Hz
Qms	3.87
Qes	2.61
Qts	1.56
Mms	N/A
Cms	N/A
Sd	7.5 cm ²
Vd	N/A
BL	N/A
Vas	N/A
Xmax	N/A
VC Diameter	25 mm
SPL	90 dB @ 2.83V/1m
RMS Power Handling	20 watts
Usable Frequency Range (Hz)	2,500 - 20,000 Hz

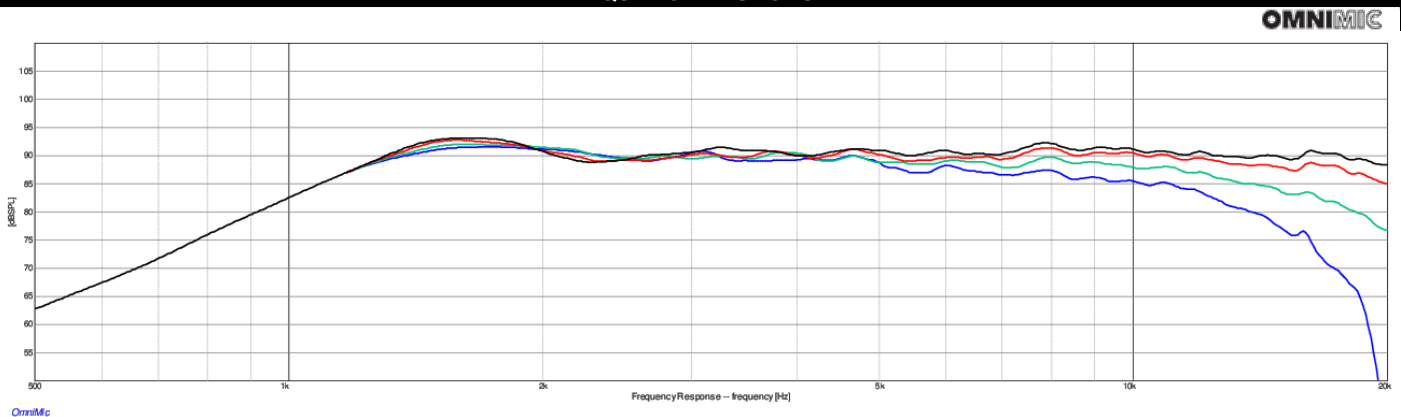
IMPEDANCE/PHASE



FEATURES

- 1" treated silk dome diaphragm
- Faceplate-free design enables versatile custom mounting
- High-strength neodymium motor with heatsink and ferrofluid cooling
- Extremely smooth and extended treble response beyond 22kHz
- Perfect for use with a waveguide or custom mounting plate

FREQUENCY RESPONSE



Note: 1/24th octave smoothing - nearfield response included in graph below 450 Hz.

Black = 0°
 Red = 15°
 Green = 30°
 Blue = 45°