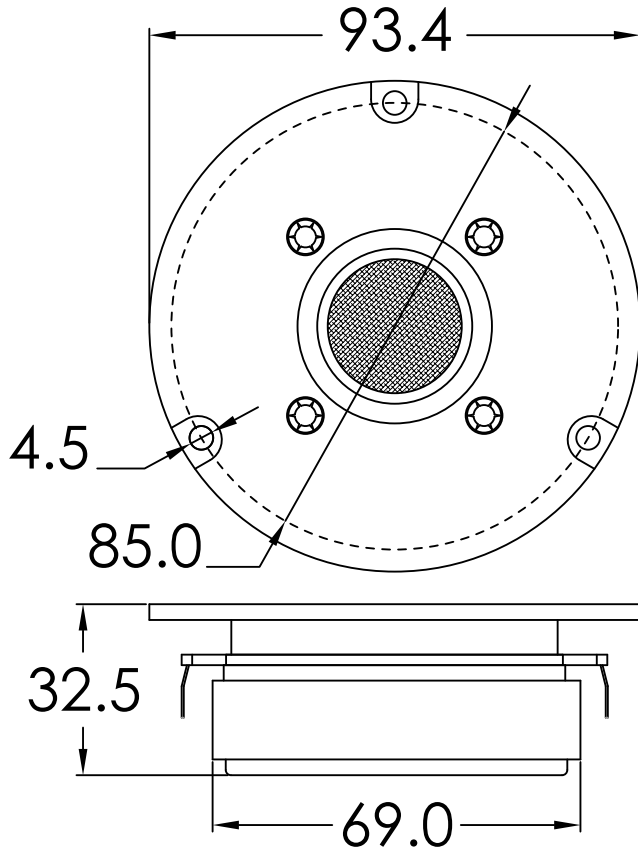


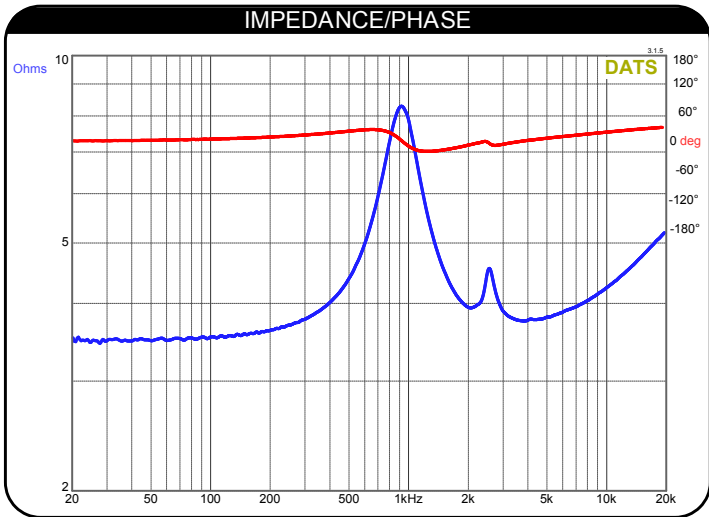


1" Soft Dome Tweeter 4 Ohm

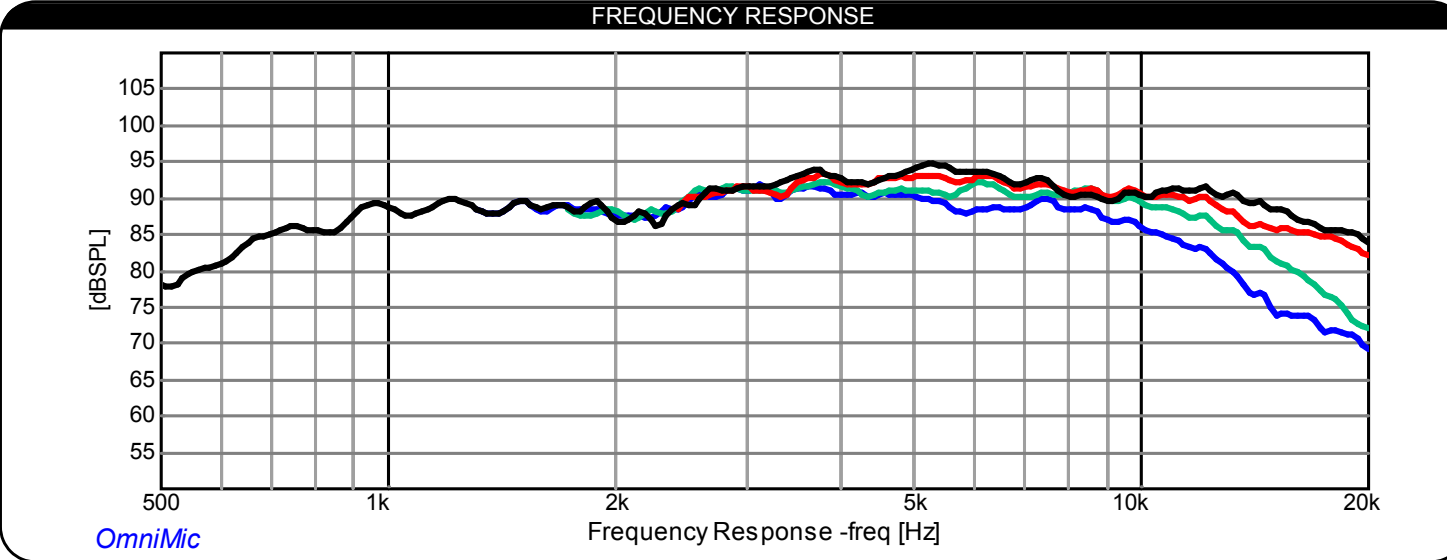
TD25F-4



PARAMETERS	
Impedance	4 ohms
Re	3.5 ohms
Le	0.04 @ 10kHz
Fs	900 Hz
Qms	2.22
Qes	1.62
Qts	0.94
Mms	N/A
Cms	N/A
Sd	7.5 cm ²
Vd	N/A
BL	N/A
Vas	N/A
Xmax	N/A
VC Diameter	25 mm
SPL	91 @ 2.83V/1m
RMS Power Handling	20 watts
Usable Frequency Range	2,000 - 20,000 Hz



- FEATURES**
- 1" silk dome delivers high efficiency and smooth response
 - Semi-horn loaded faceplate protects the dome while controlling off-axis response
 - Low Fs for use with crossovers as low as 2,000 Hz (@12 dB/octave)
 - Perfect choice for use in low cost 2-way designs



OmniMic